



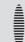
Accessories for vacuum technology

Technical data

Elbow fitting LJK

-  - Temperature range
-10 ... +60 °C

-  - Operating pressure
-0.95 ... 8 bar

-  - Note
For suction cup VAS/VASB
→ Internet: vas

- Redirection of air connection
- Swivel joint rotatable 360°
- For decoupling from mounting thread



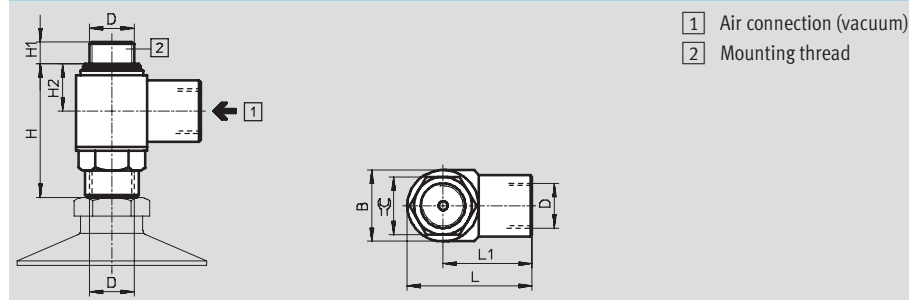
General technical data			
Size	M5	G $\frac{1}{8}$	G $\frac{1}{4}$
Design	Swivel fitting with female thread		
Operating medium	Atmospheric air		
Mounting position	Any		
Type of mounting	Mounting via the lateral connection rection on the male thread of the hollow bolt		
Vacuum port	M5	G $\frac{1}{8}$	G $\frac{1}{4}$
Operating pressure [bar]	-0.95 ... 8		

Ambient conditions			
Size	M5	G $\frac{1}{8}$	G $\frac{1}{4}$
Swivel fitting	Die-cast zinc		
Seals	Nitrile rubber and steel/nitrile rubber		
Note on material	Free of copper, PTFE and silicone		
Ambient temperature [°C]	-10 ... +60		
Corrosion resistance CRC ¹⁾	2		

1) Corrosion resistance class 2 according to Festo standard 940 070

Components requiring moderate corrosion resistance. Externally visible parts with primarily decorative surface requirements which are in direct contact with a surrounding industrial atmosphere or media such as cooling or lubricating agents.

Dimensions



Vacuum port	B	D	H	H1	H2	L	L1	⌀
M5	10	M5	20.3	3.8	7.5	17.5	12.5	8
G $\frac{1}{8}$	16	G $\frac{1}{8}$	30	5	10.6	28	20	13
G $\frac{1}{4}$	20	G $\frac{1}{4}$	39	8	13.5	36	26.5	17

Ordering data		
Vacuum port	Part No.	Type
M5	151 783	LJK-M5-I/I
G $\frac{1}{8}$	151 784	LJK- $\frac{1}{8}$ -I/I
G $\frac{1}{4}$	151 785	LJK- $\frac{1}{4}$ -I/I